



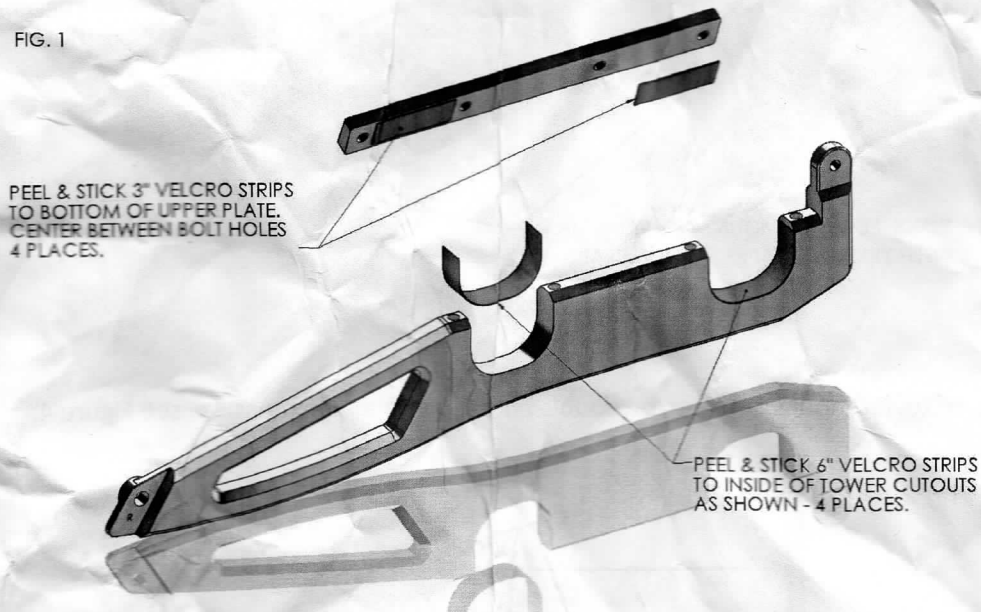
NAUTIQUE

Mounting Instructions - Correct Craft Universal Bimini Top

This Bimini top was designed to be used in conjunction with Nautique's folding tower. The tower can be lowered for going underneath low bridges at low speeds. The Bimini can be folded forward while lowering the tower and is supported by a pair of gas springs. See instructions below. The fabric and frame can also be easily removed as one unit, leaving the metal support arms on the tower. This is necessary for trailering with the tower down. For trailering with the tower up, the Bimini can either be removed or folded and booted up.

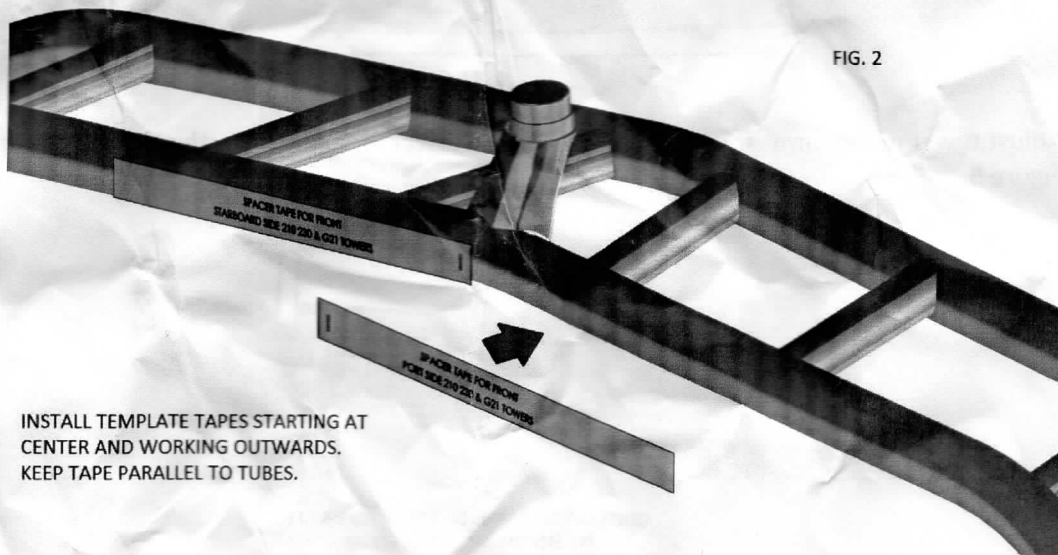
- 1) Install self-adhesive protective strips to mounting arms and upper plates as shown in Figure 1. This will help to prevent scratching or marring of tower.

FIG. 1



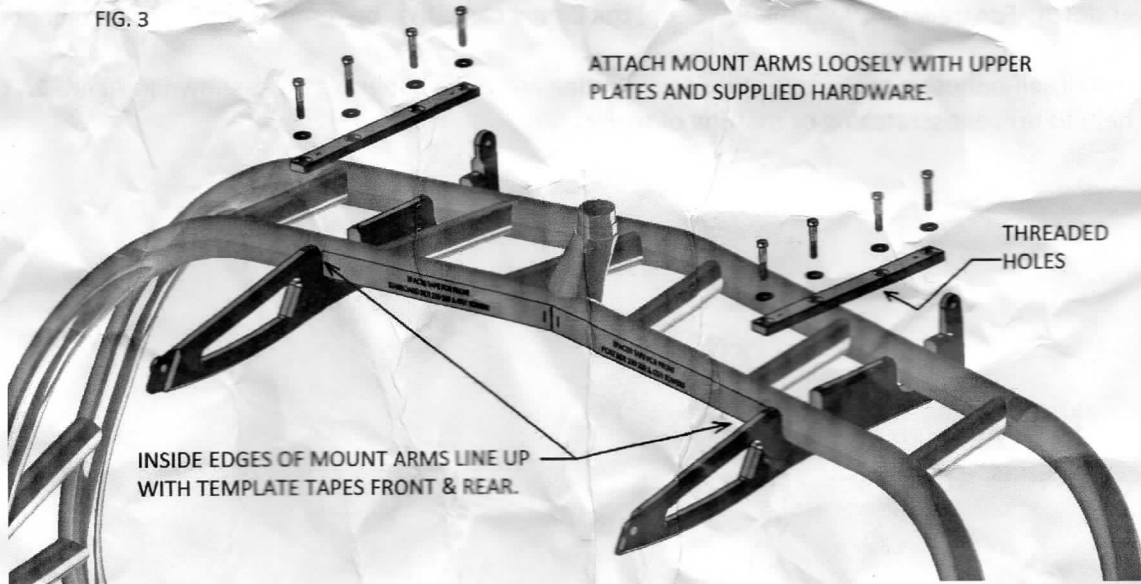
- 2) Your Bimini is supplied with sets of template tapes used to space the tower mount arms properly on the tower. Choose the sets of front and rear tapes that correspond to the tower model you have.
- 3) Apply front set of template tapes to front face of tower tube. Position the edge of the tape marked "CENTER" on the centerline of the tower and adhere tape to tower working from the center outwards. Keep template tape parallel to tubes. Repeat on other side. See Figure 2.

FIG. 2



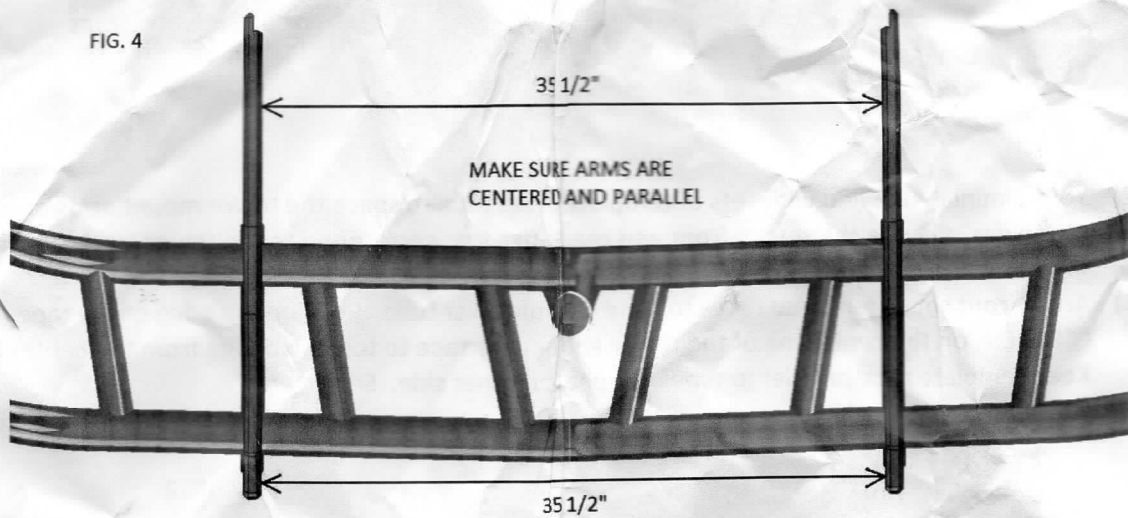
- 4) Choose the correct set of template tapes for rear of your tower and install on the rear face of the back tube in the same manner, working from the center out and keeping the tape parallel to the tube.
- 5) Attach tower mount arms loosely to tower using upper plates and supplied 3/8" bolts and washers. Note that arms are engraved "R" for Right side and "L" for Left side. Upper plates need to be mounted with threaded holes towards outside. See Figure 3. This step may be easier if tower is folded forward.

FIG. 3



- 6) Spacing of tower mount arms can be double checked with a tape measure, see Figure 4.

FIG. 4

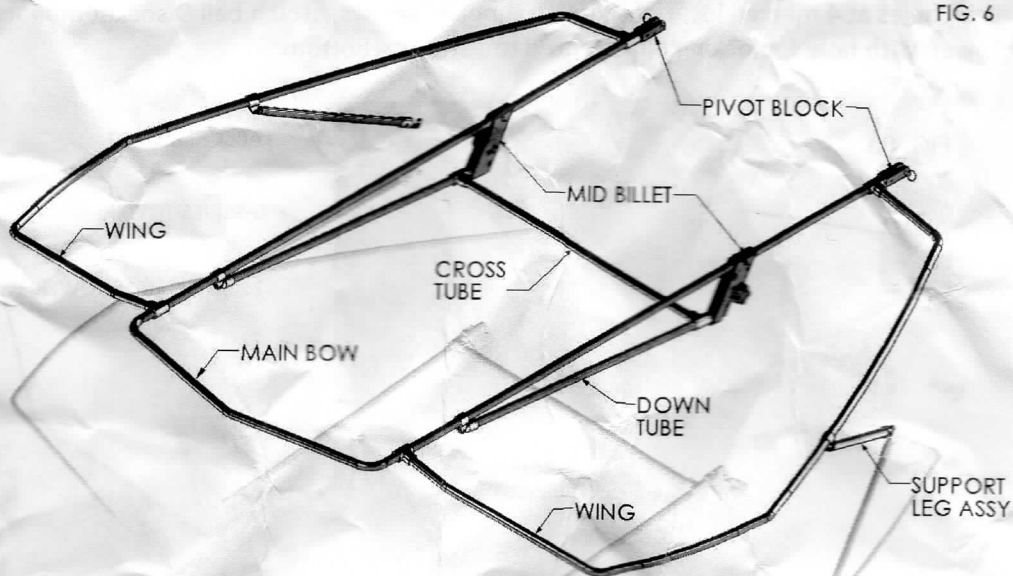


- 7) Adjust tower mount arms fore and aft to center on tower. Make sure both sides are the same. See Figure 5.

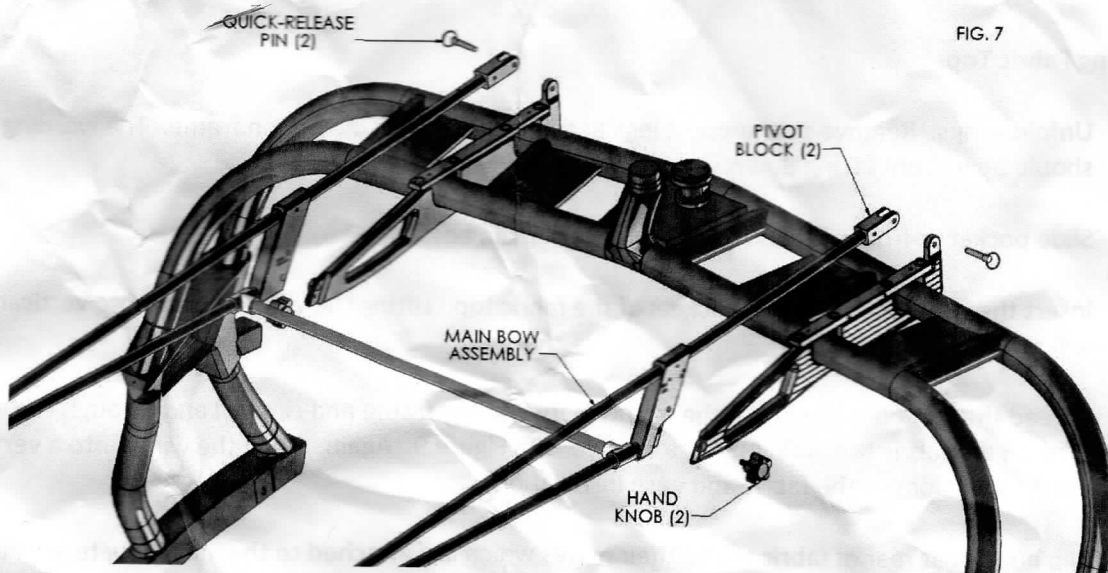
FIG. 5



- 8) After ensuring that mount arms are spaced correctly and centered on tower, tighten bolts evenly and securely. Remove template tapes.
- 9) Unpack main bow assembly. Unfold wings. Rotate mid-billet parts down and insert ends of down tubes fully. Insert ends of cross tube into T-fittings and snug set screws. Secure mid-billets to main bow tube by through-bolting with supplied 1/4-20 x 1 3/4" bolts and lock nuts. Install 1/4-20 x 1 1/4" bolts into bottom of mid-billets to secure lower ends of down tubes. Tighten bolts securely. Figure 6.

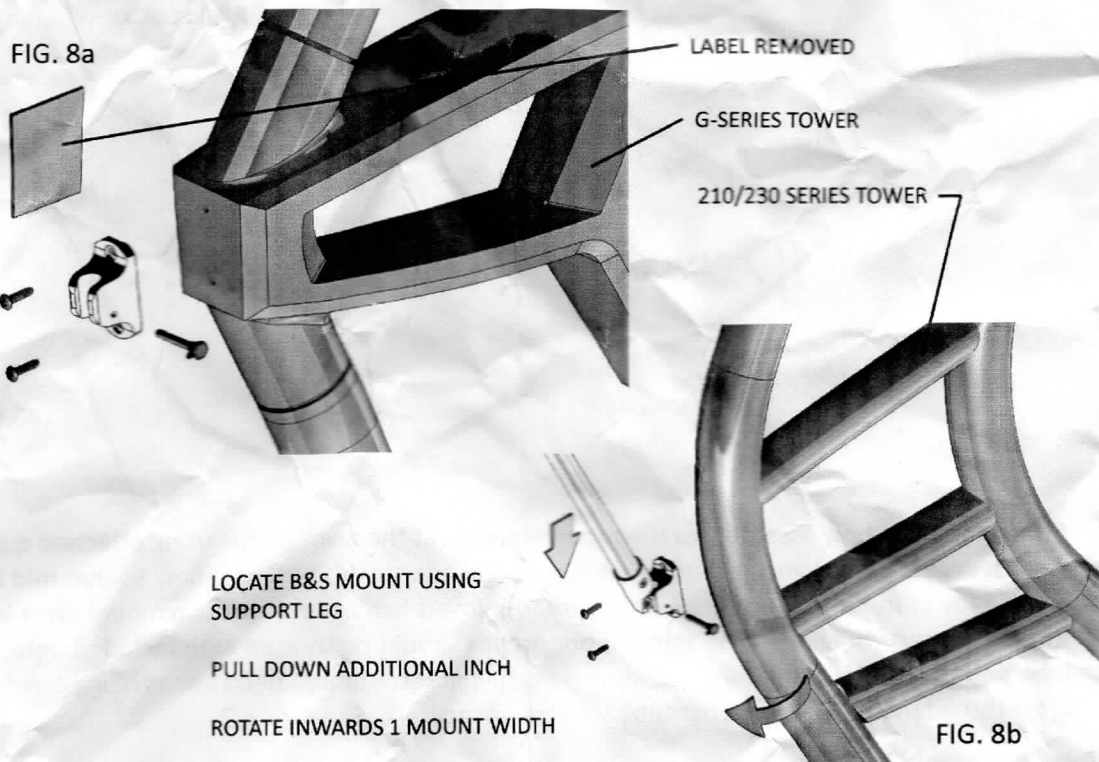


- 10) Attach the main bow assembly to the mounting arms at the pivot points using attached quick-release pins. If necessary, loosen cross tube set screws and adjust width of main bow so that mid-billets engage tower mount arms without interference. Insert hand knobs through mount arms into threaded inserts in mid-billets. **Hand knob threads should be treated with included anti-seize thread lube before initial installation** – see directions on packet. Tighten hand knobs being careful not to cross thread them. Tighten cross tube set screws securely. See Figure 7.



- 11a) Installing support legs on G23 and G25 towers. See Figure 8a. Remove decorative labels on front of tower elbows to reveal 4 threaded holes (2 per side). Remove ball & socket mounts from ends of support legs and install securely on tower using supplied screws. Locking pin feature should be oriented towards the bottom.

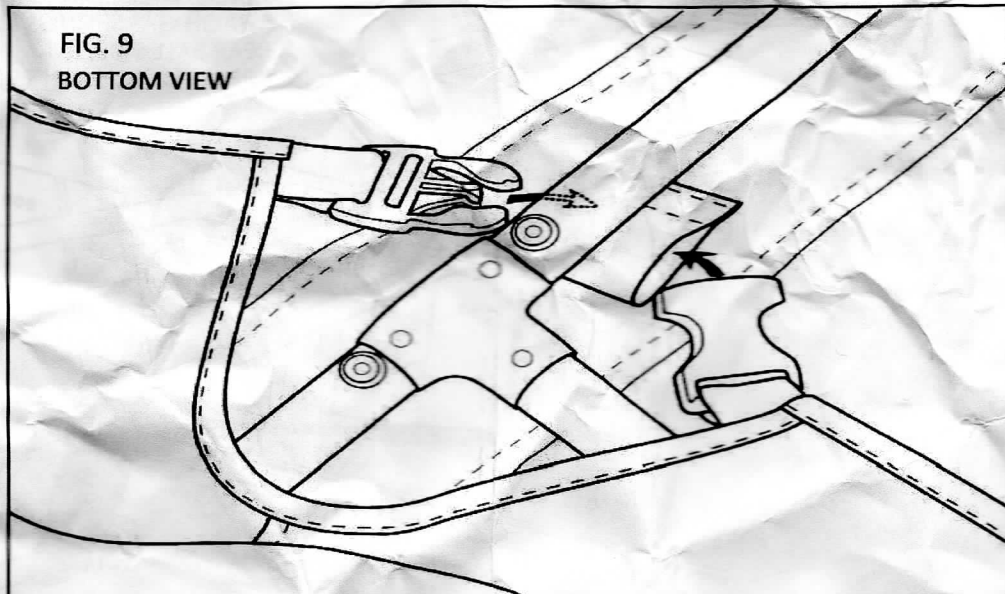
11b) Installing support legs on 210/230 and G21 towers. See Figure 8b. Unfold wings and release support legs from their shipping position. With wing resting on top of the tower in its open position, position the ball & socket mount (still attached to the support leg) in front of the tower. Carefully mark on tower where ball & socket mount sits on front of tower (masking tape is useful to mark tower). Remove ball & socket mount from support leg. Hold ball & socket mount in previously marked position, then move it down along tower 1" and rotate inwards approximately the width of the mount. Hold ball & socket mount in this position and use its holes to mark hole locations on tower. Repeat on other side, striving to keep ball & socket mount positions symmetrical. Carefully drill 9/64" (or #25 drill) holes at 4 marked locations. Using supplied screws, attach ball & socket mounts securely to tower, with hole for locking pin oriented towards the bottom.



Installing Fabric Top

- 1) Unfold wings. Remove side support legs at frame. Lay fabric over open frame. The warning label should be in front facing down. Unclip any buckles.
- 2) Slide pocket at front of fabric top over front of main bow.
- 3) Insert the wings into the side pockets of the fabric top. Lifting the wings into a more vertical position will make this step easier.
- 4) Thread the front buckles OVER the frame (between the frame and canvas) and through the webbing loop on the fabric top. Clip buckle together. See Figure 9. Again, lifting the wings into a vertical position will loosen the fabric and ease installation.
- 5) Clip buckles at rear of fabric top to their mates which are attached to the main bow tube. Pull strap to tighten. If necessary, raise the wing slightly, tighten the strap and lower the wing. This will tighten the fabric easily but fabric can be overtightened in this manner, so use caution. Note that Velcro patches on the undersides of wings should contact tower to protect from abrasion.

- 6) Reattach the side support legs to the main bow and then connect to ball & socket mounts on the tower. Install locking pin both sides.

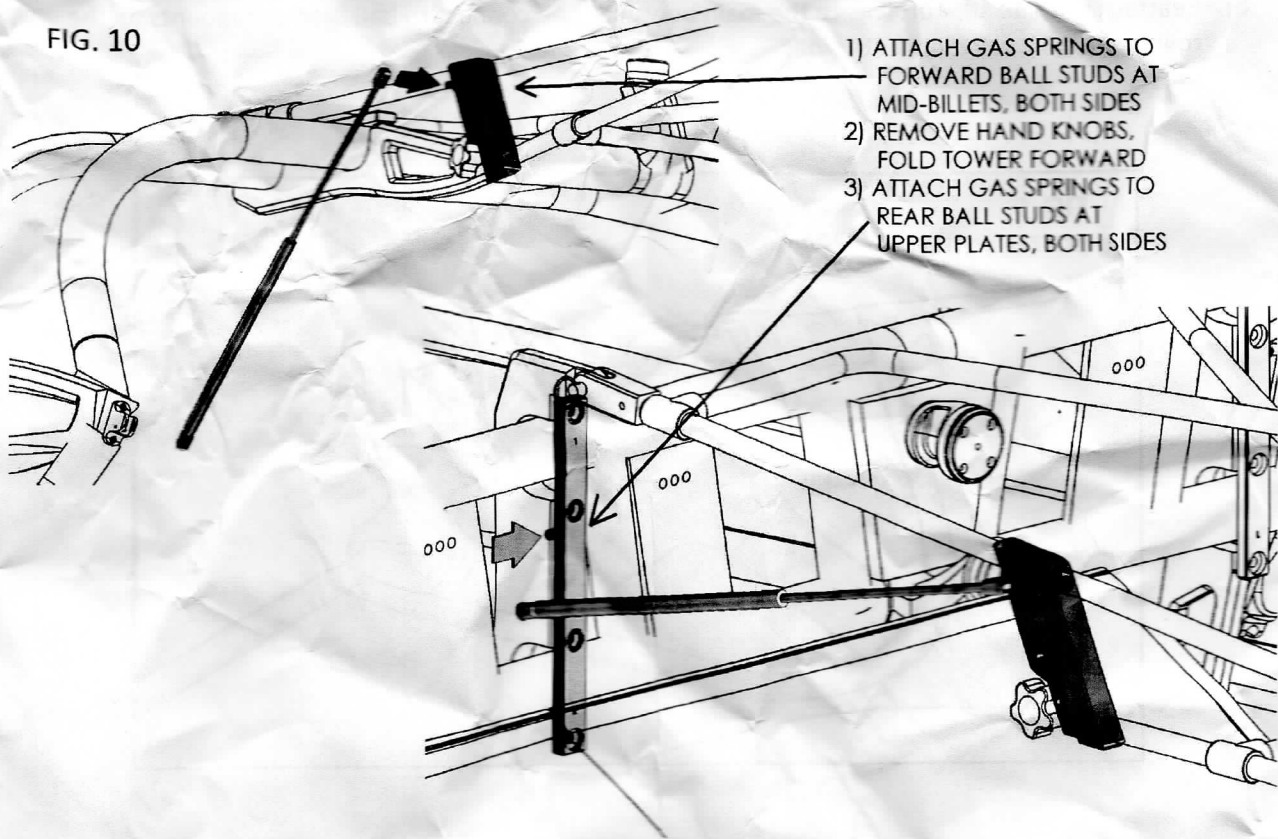


Installing Gas Springs

These steps will be more easily accomplished if you have assistance.

- 1) Install gas spring ball stud mounts. One ball stud is threaded into the mid-billet. Holes are marked for "G" tower (G23 & G25) and "210/230" tower (210, 230 & G21) - use proper hole depending on tower type. Thread second ball stud into rear-most hole on upper plate. Tighten securely. Repeat on opposite side.
- 2) Attach gas spring to ball stud mount at mid-billet. See Figure 10. Rod section of gas spring goes towards front. Push end fitting onto ball stud. Insert the straight end of the wire clip into the small hole located on the side of the fitting. Push it all the way in. Rotate the curved section and clamp it around the neck of the fitting. Repeat on other side.
- 3) Release side support legs from ball & socket mounts on tower. Fold legs up and secure to wings with Velcro straps. Fold wings in towards center.
- 4) Remove hand knobs and carefully reinstall in knob storage locations. Place a folded towel or other cushion over windshield.
- 5) Release tower to fold forward according to Nautique's instructions.
- 6) As tower is slowly folded forward, Bimini top should be supported and guided forward over the windshield. Do not let Bimini impact windshield.
- 7) While Bimini is being supported install gas springs on rear ball stud mounts at upper plates. Insert wire clips as above.

FIG. 10



Fabric Boot Installation

- 1) Release the bottom mount of the side support leg and swing the leg up to be secured using the Velcro strap. Fold wing up and over. Repeat for other side.
- 2) Slide bag onto folded frame. Nautique logo should be readable on the sides and mesh is on the bottom.
- 3) Feed straps around the rear of the Bimini and tower and clip together. Tighten straps and secure the ends of the webbing with Velcro.

Lowering tower and folding Bimini forward – NOTE: This is designed to be a temporary setup only for short term usage.

- 1) It is recommended that a towel or other protective material be placed over the windshield and that two people perform this step.
- 2) Fold the Bimini together as noted above. The boot can be installed but is not necessary.
- 3) Unscrew hand knobs and carefully reinstall in the knob storage holes.
- 4) As you lower the tower per Nautique's instructions, guide the front end of the Bimini, keeping it in a horizontal position as it extends out over the bow of the boat. The gas springs will help keep the Bimini top off the windshield. Bimini top should be steadied while proceeding slowly under low obstacle.
- 5) Reverse steps to raise Bimini.

WARNING

- 1) Failure to read and understand operating instructions may cause injury or damage.
- 2) Never trailer with bimini deployed.
- 3) Never deploy bimini above 45 miles per hour.
- 4) Never deploy bimini in heavy winds.
- 5) Never hang from structure or store items on top of frame.
- 6) Do not allow excessive weight on top of frame, such as snow or rain water to accumulate.
- 7) Be sure to periodically check and tighten all bolts.

ISCCMY15/R3

7/7/2014